

M S BEAM

// M S BEAM

BEAM

Sr. No.	Side(mm) x Side(mm) x Thickness(mm)	Section Wt. (Kg/m)
1	IPE - BEAMS *180 X 91 X 5.3	18.8
2	HE - BEAMS *120 X 114 X 5	19.9
3	ISMB BEAMS 125 X 70 X 5	13.3
4	150 X 75 X 5	15.0
5	175 X 85 X 5.8	19.6

Grades

Sectional Properties as per

For Beams : DIN :1025 - 1994 / IS :12778 - 1989 / IS :808 - 1989

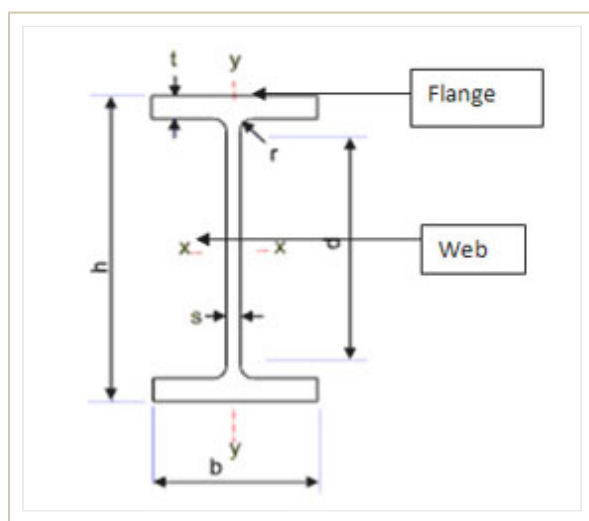
Tolerance as per:

For Beams : DIN :1025 - 1994 / IS :12779 -1989 / IS :1852 - 1985

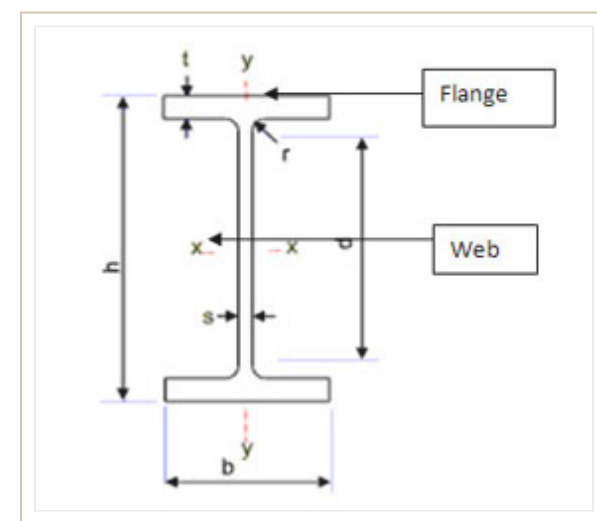
Grades as per:

For Beams : IS :2062 :E250 A - 2006

I - BEAM



H - BEAM



It is represented by dimensions of Web & Flange. For e.g. 150x75 beam means, Width of Web = 150mm Width of Flange = 75mm

In H-Beam generally the sizes of the Web & Flange are almost equal. When we say, 254 x 254 beam means Web = 254mm & Flange = 254mm.

M S BEAM

Size	Weight in Kgs.	Weight in Kgs.
in mm	Per Feet	Per Mtr.
100 x 50	2.432	7.979
125 x 70	4.023	13.199
150 x 75	4.571	14.997
175 x 85	5.943	19.499
200 x 100	7.893	25.897
250 x 125	11.612	38.099
300 x 140	14.782	48.500
350 x 140	16.125	52.906
400 x 140	19.080	62.601
450 x 150	22.280	22.280
500 x 180	26.730	87.700
600 x 210	37.370	122.600

Beams manufactured by JINDAL are represented by Web Height, Flange Width & Section Weight.

Jindal

Size	Weight in Kgs.	Weight in Kgs.
in mm	Per Feet	Per Mtr.
100 x 50	2.432	7.979
125 x 70	4.023	13.199
150 x 75	4.571	14.997
175 x 85	5.943	19.499
200 x 100	7.893	25.897
250 x 125	11.612	38.099
300 x 140	14.782	48.500
350 x 140	16.125	52.906
400 x 140	19.080	62.601
450 x 150	22.280	22.280
500 x 180	26.730	87.700
600 x 210	37.370	122.600

Beams manufactured by JINDAL are represented by Web Height, Flange Width & Section Weight.

SAIL

Section	Dimensions	Sectional Weight	Length
	mm	kg/m	m
Beams/Joists	DraperSteel Plant		
	175 x 85 x 5.8	19.6	10 to 11.5
	200 x 100 x 5.7	24.2	
Beams	Bhilai Steel Plant		
	250 x 125 x 6.9	37.3	10 to 13
	300 x 140 x 7.7	46	for all dimensions
	350 x 140 x 8.1	52.4	
	400 x 140 x 8.9	61.5	
	450 x 150 x 9.4	72.4	
	500 x 180 x 10.2	86.9	
	600 x 210 x 12	123	